

HEAVY DUTY FLAIL MOWER

<http://tiny.cc/HDflailmower>



FEATURES & BENEFITS

- Heavy duty tools
- Perfect for thick grass, sticks, undergrowth and pruning residues, roadside maintenance
- New floating system

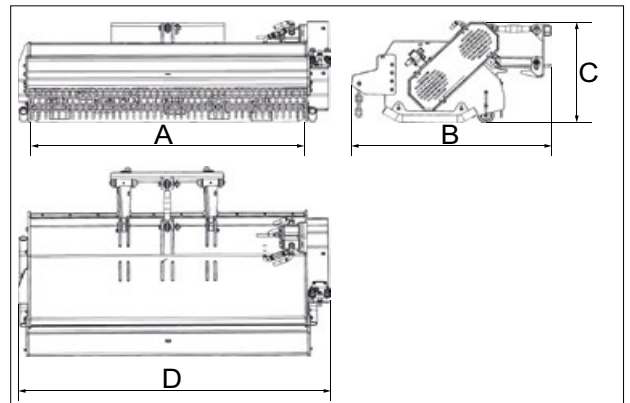
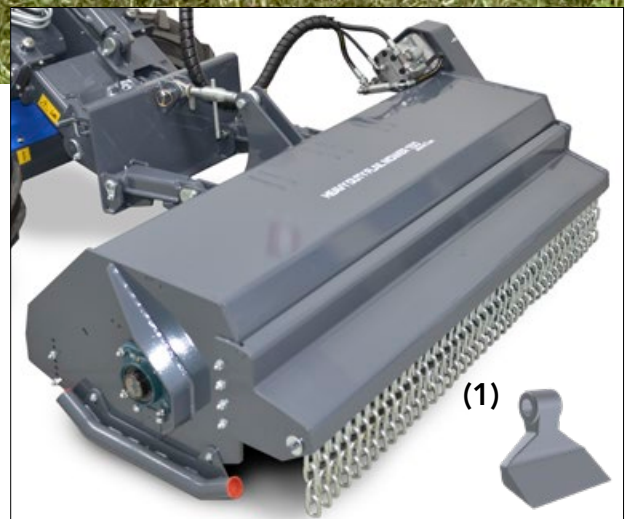
The Heavy Duty flail mower is now stronger and more powerful for maintaining rugged landscape areas such as heavy grasses, storm debris, sticks, pruning residues and more around farms, properties, parklands, and roadsides.

The hammer ⁽¹⁾ shaft set-up is especially designed to withstand to heavy works, such as cutting shrubs up to a diameter of 5 cm.

The rear support roller, adjustable in height, make this tool extremely effective and allow the operator to choose the desired cutting height.

The new floating system permits to follow the ground contours in an effective way also on uneven lawns.

Note: the floating boom valve on the machine is suggested.



Dimensions (cm/in)			
A	B	C	D
150 / 59	115 / 45	61 / 24	179 / 70

Model	Cutting Width	Cutting Height	Hammers 120 mm	Weight	Code
150	150 cm (59 in)	1-10 cm (0.4-4 in)	18	470 kg (1036 lbs)	C890540

Compatibility	1.1	2.3	4.2	5.2	5.3	6.3	7.2	8.4	8.5	11.6	11.9	EZ5	EZ7 EZ8
	Compatible	Not compatible	Not compatible	Not compatible	Not compatible	Not compatible	Not compatible	Very compatible	Compatible	Compatible	Compatible	Not compatible	Not compatible

