

INTER-RROW MOWER

<http://tiny.cc/interrow>

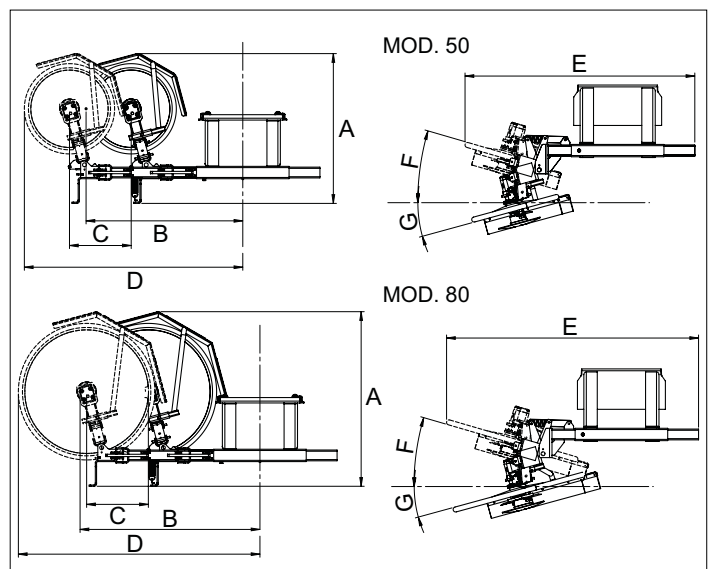


FEATURES & BENEFITS

- Spring shock absorber system
- Abrasion resistant guard
- Floating system

The inter-row mower is designed to cut grass and shrubs around trees, guard rails, traffic signs, and other obstacles. The floating mower system allows the mower disk to automatically follow ground contours. This system provides excellent productivity and an even cut. The inter-row mower disk can be offset to the right to allow for variable working conditions. It is equipped with a hydraulic valve that prevents blades rotation inversion.

Note: the floating boom valve on the machine is suggested.



	Dimensions (cm/in)						
	A	B	C	D	E	F	G
Mod. 50	97 38.2	102 40	40 15.7	142 55.7	149 58.6	16°	15°
Mod. 80	113 44.6	117 45.9	40 15.7	157 61.6	163 64.3	16°	15°

Model	Mowing disk diameter	Max Side Shift	Nr. Blades	Weight	Code
50	48 cm (18.9 in)	40 cm (15.7 in)	2	108 kg (238 lbs)	C890705
80	80 cm (31.5 in)	40 cm (15.7 in)	2	115 kg (254 lbs)	C890706

Compatibility	1.1	2.3	4.2	5.2	5.3	6.3	7.2	8.4	8.5	11.6	11.9	EZ5	EZ7 EZ8
Model													
50													
80													

Very compatible
 Compatible
 Not compatible

