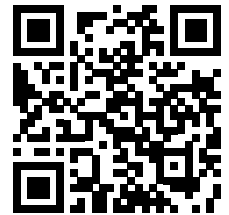


# HYDRAULIC BIO SHREDDER

<http://tiny.cc/bio-shredder>



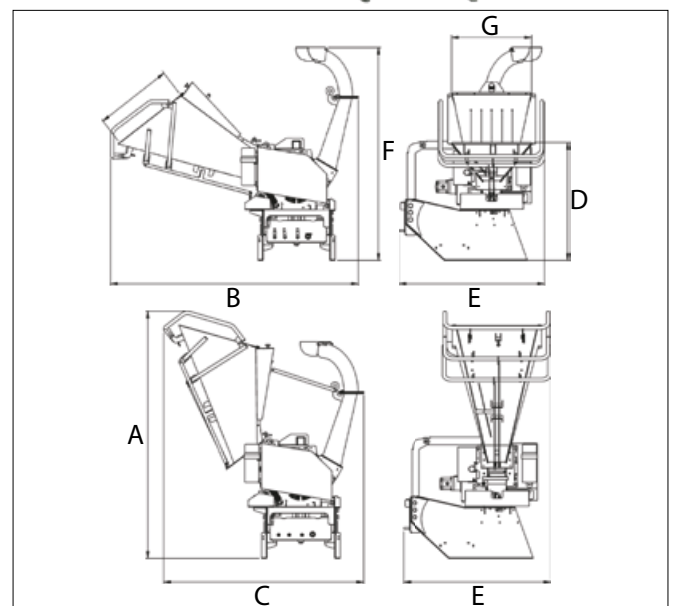
## FEATURES & BENEFITS

- Compact dimensions
- Excellent tool for chipping branches and small tree trunks
- Manual feeding and discharge chute rotation
- Equipped with safety stop system
- Foldable for easy transport



The hydraulically powered chipper/shredder is a powerful tool for quickly reducing a pile of brushes, garden wastes, and tree limbs to reusable shredded mulch. Combined with the MultiOne, this chipper/shredder can work in areas not reachable with a traditional towed chipper.

The machine incorporates a feed roller that pulls the branches up to 90 mm (3.5 in) diameter into the chipper section in a controlled, safe speed. The chips are then processed by the shredder section, reducing the wood chips to mulch. The operator remains safely out of the way during the chipping/shredding process.



		Dimensions						
		A	B	C	D	E	F	G
cm		210	222	170	101	126	182	70
in		83	88	67	40	50	72	28

Model	Max timber diameter	Weight	Code
Hydraulic bio shredder	9 cm (3.5 in)	335 kg (740 lbs)	<b>C890731</b>

Compatibility	1.1	2.3	4.2	5.2	5.3	6.3	7.2	8.4	8.5	11.6	11.9	EZ5	EZ7 EZ8
	Very compatible	Compatible	Compatible	Compatible	Compatible	Compatible	Compatible	Compatible	Compatible	Compatible	Compatible	Not compatible	Not compatible

