

MULTI¹ONE



ELECTRIC COMPACT LOADER



EZ5
EZ5 LR
EZ7
EZ8
EZ8 LR

ENGLISH



FULL-ELECTRIC

WE WANT YOUR FULL-ELECTRIC MULTIONE ARTICULATED COMPACT LOADER TO BE YOUR GO-TO MACHINE ALL DAY LONG.

THE EZ SERIES

EZ5 - EZ5 LONG RANGE

EZ7

EZ8 - EZ8 LONG RANGE



INNOVATIVE AND VERSATILE

① JOYSTICK
The multi-function electronic joystick, available as option, enables easy and precise control of the loader boom and attachments. All controls are here, at your fingertips.



① ON BOARD CHARGER
The smart integrated battery charger allows to charge the battery from any electrical socket.



① DASHBOARD AND CONTROLS
Every component is considered by MultiOne, to maximise comfort and control. The cab layout is designed with attention to ergonomic principles, intuitive location of instruments and controls ensure the ease of use.

① UNBREAKABLE BODY PANELS
The resistance and flexibility of the compound used on the new body cover let the panel absorb shocks, deforms and go back to original shape.

① BATTERY
The EZ series is equipped with a battery from 10,8 to 29,2 kWh. This assures large autonomy and long cycle life.

① LONG RANGE
The EZ5 and EZ8 Long Range models are equipped with a larger battery which guarantees up to 40% more autonomy.

① WHEEL MOTOR
The 4 high efficiency wheel motors provide power with great control and reliability.

① TELESCOPIC BOOM
Only MultiOne has a double-H telescopic boom design, which gives extreme strength and symmetrical loading. Proven efficiency.



① GREAT TRACTION
MultiOne EZ loaders are equipped with four-wheel direct drive hydraulic motors and differential lock (DBS) which guarantee maximum traction on all terrains.

READY TO USE ANYWHERE
Full electric EZ series with zero-emission and extremely low noise is the answer to future demands. Perfect for indoor use where ventilation is limited or non-existent and there are strict noise restrictions.

① 360° VISIBILITY
The 360° Operator Visibility is a well known MultiOne plus.

① ECO - POWER mode
All models are equipped with an energy management system that increases efficiency and autonomy.

① MULTICONNECTOR + ACI
The Multiconnector lets you plug-in all hydraulic lines at once and drip free. ACI system allows the driver to control the attachments' movements without the need for separate control boxes, cables or additional wiring. The connection to the attachments is plug & play, reliable and easy.

① OVER 170 ATTACHMENTS
MultiOne has a decade-long experience of designing and implementing dedicated attachments. This know-how assures the best attachments for mini loaders are branded MultiOne.



① COMPACT SIZE
MultiOne's compact size offers great maneuverability in narrow spaces. From a small indoor working area to an open field, MultiOne can reach places other machines can't.



① LIFTING CAPACITY
The MultiOne loader can lift and handle heavy loads. You'll get excellent lifting capacity in a compact machine on any jobsite.

① LARGE AUTONOMY
The EZ5 and EZ8 are equipped with lithium ion battery. The EZ5's battery has a capacity from 10,8 to 14,6 kWh (Long Range version), the EZ8's battery from 21,5 to 29,2 kWh (Long Range version). The EZ7 is equipped with a 16,5 kWh lead acid battery.



① CHARGING STATION
The charging station, available for the EZ5 and EZ8 models, allows to charge the battery in a few hours. Two models are available, 95A and 160A.



① SELF-LEVELLING BOOM
This system is installed on the machine boom and keeps the load level, without the need to continuously correct the position with the joystick.



GREEN PERFORMANCES

① THE FULL-ELECTRIC MULTIONE

Multione presents its fully electric series, available in three models:

- the small EZ5 equipped with a lithium battery available with two capacities: 10,8 kWh or 14,6 kWh in the Long Range version which ensures 40% more autonomy;
- the EZ7 with a robust 16,5 kWh lead-acid battery;
- the EZ8 equipped with a lithium battery available with two capacities: 21,5 kWh or 29,2 kWh in the Long Range version which ensures 40% more autonomy.

Although the EZ series is electric it offers the same power and properties as the same series which is equipped with a diesel engine:

- Speed and maneuverability. - Best in class weight to lift ratio.
- Boom lift height. - Large oil flow. - Low ground impact.

Full electric EZ series with zero-emission and extremely low noise is the answer to future demands. Perfect for indoor use where ventilation is limited or non-existent and there are strict noise restrictions.



① LONG RANGE MODELS

Two models are available in the LONG RANGE version:

- EZ5 LONG RANGE equipped with a 14,6 kWh battery
- EZ8 LONG RANGE equipped with a 29,2 kWh battery

The EZ Long Range models, thanks to an increased battery capacity, provide greater versatility and efficiency in a wide range of applications. With approximately 40% more battery capacity, these loaders can tackle demanding tasks with ease, reducing the need for frequent recharging.

This extended autonomy significantly improves productivity and enables operators to accomplish more within a single working cycle ensuring uninterrupted performance for up to 8 hours on both models.

① ECO - POWER MODE

All EZ models are equipped with an energy management system that increases efficiency and autonomy.

The operator can choose between ECO mode (-) which ensures the greatest possible autonomy, or POWER mode (+) which guarantees maximum performance but reduces autonomy.



BEST IN CLASS BATTERY

① EZ5 AND EZ8 BATTERY

The EZ5 and EZ8 battery is an energy pack composed by lithium cells and an integrated advanced electronic battery management system (BMS). The lithium iron phosphate (LiFePO4) chemistry provides the best safety, high performances and allows flexible cycling and opportunity charges with no memory effect.

- **HIGH PERFORMANCE:** The cells with LiFePO4 technology used in our batteries ensure great performance in terms of duration and charging speed.
- **DURATION:** Our batteries last over time also thanks to the reduced chemical deterioration.
- **ENERGY DENSITY:** The chemistry present in the cells has a high energy density allowing maximum efficiency in minimum space
- **GREAT RELIABILITY:** The composition of the Lithium Iron Phosphate prismatic cells fully satisfies our machines' robustness and solidity needs.



① BATTERY MANAGEMENT SYSTEM (BMS)

For the battery management, the balancing system is integrated, keeping the cells always equal and efficient. The system is internally equipped with all the protective devices needed for safe and efficient operation. The charge is simple and fast, in addition it can be made at any time without affecting the life of the battery. Charging the battery can be done in several short sessions or in a full session. The absence of emissions and the extended temperature range make the battery perfectly suited to any work environment.

When the battery is switched on, the BMS master unit keeps monitoring all the main electrical parameters, to prevent any possible anomaly or malfunction.

The essential operation that preserves the efficiency and the performance of the battery is the cell balancing. The operation is performed on each cell during charging phase until the cell reaches its maximum operating voltage (without exceeding it), ensuring the maximum energy storage conditions.

To maximize the efficiency of the battery it is also important to support the weaker cells during discharging phase. The operation allows weaker cells to stay into normal operating voltage range until the complete discharge of the battery pack.

The battery management system provides more safety functions: Overcharge protection, Under voltage protection, Over discharge protection, Internal main fuse, Over temperature, Under temperature.



① EZ7 BATTERY

The battery of the EZ7 model consists of 24 lead acid cells. This type of battery guarantees, low cost, low maintenance, high discharge power and strength. The integrated charger automatically manages all battery charge phases ensuring maximum performance and battery life.

BATTERY AUTONOMY



The battery autonomy will vary greatly, depending on several factors:

- Use Mode. The machine used in ECO mode allows greater working time, while in POWER mode the working time decreases.
- Attachment used. Using attachments that have a hydraulic motor and require constant, high flow and power of hydraulic oil, will use the energy of the battery quickly. Attachments that are used only short periods of time are best suited for electric machine.

The EZ series has a built-in onboard charger which allows you to charge with any domestic electric outlet.

An external charging station (95A and 160A versions) is available for the EZ5 and EZ8 models with lithium battery. The station reduces charging times and is easy to move from jobsite to another because it has the Multione quick attach. The onboard charger is intended mainly for overnight charging. The charging station is intended for charging during the workday.

Model	Onboard charger	External charging station	
		95A	160A
Input Voltage	110-230 VAC ± 10% - 50/60 Hz	400 VAC ± 15% - 50/60 Hz	
Nom. Phase Current	14A	9A	13A
AC Plug	CEE 16A 230V 2P+T	CEE 16A 400V 3P+T	
Output Voltage / Output Current	48V / 60A - 230VAC o 48V/30A - 120VAC	48V / 95A	48V / 160A

CHARGING TIMES

The charging process is managed automatically by the charger. Charging time may change depending by different factor, charger current, ambient temperature, state of charge of battery, time passed before last charge.

Estimated charging times

Model	Integrated charger		Charging station 160A	
	0 to 80%	0 to 100%	0 to 80%	0 to 100%
EZ5	2h 40	4h	1h 20	2h
EZ7	5h 30	7h	Not available	
EZ8	5h 30	8h 10	2h 45	4h 05
EZ5 LR	3h 40	5h 30	1h 10	1h 45
EZ8 LR	7h 20	11h	2h 20	3h 30



COMFORT

COCKPIT AND DASHBOARD

MultiOne doesn't see comfort as a luxury. It's essential to the productivity. That's why every MultiOne loader is designed with the operator's experience in mind. Visibility, cab space, ease of control, air flow and ergonomics add up to focused work and satisfied operators.



Multifunction Joystick

The Multifunction Joystick, available as option, enables easy and precise control of the loader boom and attachments.



Control panel

LCD graphic display with service intervals alerts. Handy switches to operate auxiliary functions.



Seat

Ergonomic full adjustable suspension seat with armrests and seat belt.



MULTIFUNCTIONAL

MULTI ONE

With over 170 different attachments that can be changed in seconds, MultiOne ensure that a solution is at hand for any task, no matter how big, small or demanding. Expensive labour cost is dramatically reduced by mechanising a vast array of jobs. Hydraulic quick coupling system standard on all loaders provide seamless and effortless replacement of all attachments ensuring the ultimate flexible solution. The new ACI system (Attachment Control Interface) allows the operator to control all the attachment functions only with the multifunction joystick, for a more efficient work experience.



① Coupling plate

The coupling plate allows you to connect the attachments quickly and safely. It is also available with hydraulic control.

① Multiconnector

The Multiconnector lets you plug-in all attachment hydraulic lines at once and drip free.

① ACI System - optional

ACI system allows to control the attachments' movements with the buttons on joystick without the need for separate controls.



LOW MAINTENANCE

When you rely on your equipment to complete your job, serviceability has to be easy – and it can't take up too much of your time. MultiOne always keeps easy serviceability in mind, ensuring that components are easy to reach and daily maintenance is quick to complete. One of the advantages of battery-powered EZ machines is simpler maintenance. The batteries and electric motors are practically maintenance-free, which means clearly lower maintenance costs for electric loaders. There is no need to change engine oil, coolant, or engine filters in periodical service. In practice, only hydraulic oil and filter must be replaced in electric machines. The easy-to-read, LCD graphic display provides operating information and machine warnings.



EASY TO TRANSPORT

① COMPACT AND LIGHT

MultiOne's compact size offers great maneuverability in narrow spaces. From a small indoor working area to an open field, MultiOne can reach places other machines can't. Despite its robust construction, the lightweight loader can be easily transported on a regular car trailer.

UNBREAKABLE BODY PANELS

The MultiOne body panels using a special compound that make them indestructibles. The panels absorb shocks, deform and go back to original shape.

The panels absorb shocks, deform and go back to original shape. Other features of these panels are:

- UV protection.
- Wide temperature range resistance.
- Modern matt finishing surface.

All this guarantees a long life to the panels.



OPTIONS

Simply give your machine a personal touch or choose a function that you need. A wide selection of options to customize your compact articulated loader!

① AVAILABLE OPTIONS

- ACI (Attachment Control Interface)
- Attachment coupling plate for rear mounting
- Automatic locking plate
- Beacon light
- Driver area cover
- Fast charging station 95A or 160A (only EZ5 - EZ8)
- Floating boom system
- GPS kit
- Left protection bar
- Mirrors
- Multifunction joystick with ACI
- Rear bull bar
- Rear weights
- Side weights
- Smart cabin
- Snow Chains
- Tie down bracket
- Trailer coupling
- Turf and skid tyres
- Warning & Safety lights for road travel
- Wheel spacer



EZ5 - EZ5 LONG RANGE



- ① PLUS
- Lithium-Ion battery
 - Zero emission
 - Very low noise emissions
 - Integrated smart charger
 - Fast charging station available
 - Small size:
 - It can work in narrow space
 - Low Weight:
 - No Turf damage
 - Less tires consumption
 - Multifunction Joystick + ACI available
 - Self levelling telescopic boom
 - Smart cabin available

① EZ5: the smallest electric MultiOne.

The MultiOne EZ5 electric mini loader is the smallest model in the EZ series, designed for light-duty work in small spaces. With a width of just one meter and a weight of 1 ton, it is easy to maneuver and transport, making it well-suited for operating in tight or restricted areas. It's an excellent choice for tasks that require agility and precision in confined worksites.

The EZ5 is equipped with a 10,8 kWh or 14,6 kWh (Long Range model) LiFePo battery that can be charged using a standard power outlet or a fast charging station. The LiFePo battery is known for its durability, high energy density, and long cycle life, making it a reliable and efficient power source for the machine.

The MultiOne EZ5 electric mini loader is a compact and efficient machine that combines low environmental impact, versatility, and ease of use, making it a valuable asset for small-scale operations.

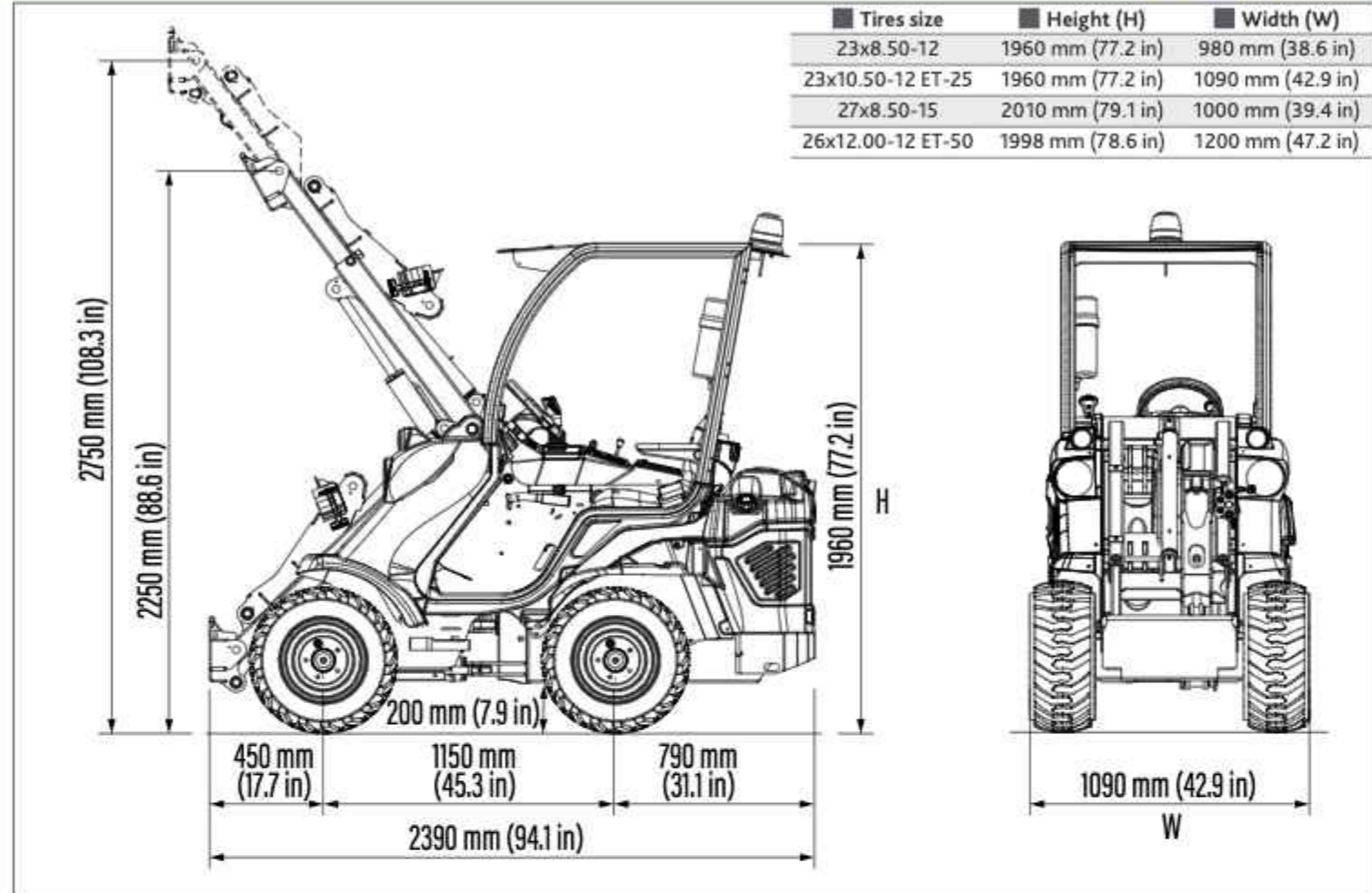


<p>MAX LIFTING CAPACITY</p> <p>890 kg</p>	<p>BATTERY CAPACITY</p> <p>10,8 or 14,6 kWh</p>	<p>SPEED</p> <p>12 km/h</p>	<p>FLOW RATE</p> <p>35 l/min</p>	<p>LIFT HEIGHT</p> <p>2,75 m</p>	<p>WEIGHT</p> <p>1020 kg</p>	<p>ACI ATTACHMENT CONTROL INTERFACE</p>	<p>LiION BATTERY</p>
---	---	-----------------------------	----------------------------------	----------------------------------	------------------------------	---	----------------------

HIGHLIGHTS

- Twin Motors Single Ended Circuits
- Lithium-Ion battery (LiFePO4)
- Integrated Smart Battery Charger
- Energy management system: Eco - Power
- Fast charging station (95A or 160A) available as option
- Braking Energy Recovery System
- Unbreakable Body Panels
- Hydraulic multiconnector
- Self-levelling double-H telescopic boom
- Dynamic Block System (DBS)
- ACI with Multi-functions joystick (22 functions) available as option
- ROPS-FOPS Level I
- LCD graphic display with programmed service
- 4WD hydrostatic Direct Drive motors
- High efficiency wheel motors
- 2 front working lights
- Ergonomic full adjustable suspension seated seat with armrests and seat belt
- Self-locking parking brake
- Backup warning beeper
- 23X10.50-12 wheels

Daily work cycle in hours



Model	EZ5	EZ5 LONG RANGE
■ Battery type	Lithium -Ion (LiFePO4)	
■ Battery capacity	10,8 kWh	14,6 kWh
■ Electric motors	2	
■ Charging system	Integrated charger (Ext. fast charging station available)	
■ Transmission	Hydrostatic	
■ Drive speed (max.) (1)	12 km/h (7.5 mph)	
■ Aux. hydraulics oil flow	35 l/min (9.3 GPM)	
■ Max. lifting height	2,75 m (108 in)	
■ Tipping load, max. (2)	1110 kg (2447 lbs)	
■ Lifting capacity straight, max. (3)	890 kg (1962 lbs)	
■ Breakout force / 50 cm (19.7 in)	800 kg (1764 lbs)	
■ Pushing force (c)	900 kgf (900 kp)	
■ Average ground pressure (w/standard tires)	814 kg/m ² (167 lbs/sqft)	
■ Turning radius: inside/outside	800/2000 mm (31.5/78.7 in)	
■ Standard tires (Tractor profile)	23X10.50-12 ET-25	
■ Weight	1020 kg (2250 lbs)	

(1) Maximum speed that can be achieved with the largest diameter tires available, on a flat surface and machine without attachments.
 (2) Tipping limit, when the machine is straight, with rear weights and boom lifted just off the ground. Weight of attachment included.
 (3) Maximum load that can be lifted just off the ground when the machine is straight and with rear weights. Weight of attachment is included.
 Note: Refer to the Operator's manual for the comprehensive load diagram.

EZ 7



- ➊ PLUS
- Lead Acid battery
 - Zero emission
 - Very low noise emissions
 - Integrated smart charger
 - Large autonomy
 - Multifunction Joystick + ACI available
 - Self levelling telescopic boom
 - Smart cabin available

➊ EZ7: the toughest electric MultiOne.

The MultiOne EZ7 electric mini loader is a medium-sized machine in the EZ series, designed for medium-duty work in a variety of industries with the highest lifting capacity of the electric series. One of the main differences between the EZ7 and the other models in the series is the battery type. The EZ7 is equipped with a 16,5 kWh lead acid battery, which provides up to 5 hours of continuous use and can be charged using a standard power outlet. The lead acid battery is known for its low cost and high availability, making it a popular choice for applications where cost-effectiveness is a priority. The EZ7 features a hydraulic system with a flow rate of 35 l/min, delivering a maximum lifting capacity of 1650 kg. The MultiOne EZ7 electric mini loader is a powerful and efficient machine that combines versatility, low environmental impact, and affordability, making it a valuable asset for a variety of applications.

<p>MAX LIFTING CAPACITY</p> <p>1650 kg</p>	<p>BATTERY CAPACITY</p> <p>16,5 kWh</p>	<p>SPEED</p> <p>12 km/h</p>	<p>FLOW RATE</p> <p>35 l/min</p>	<p>LIFT HEIGHT</p> <p>2,98 m</p>	<p>WEIGHT</p> <p>1860 kg</p>
--	---	-----------------------------	----------------------------------	----------------------------------	------------------------------

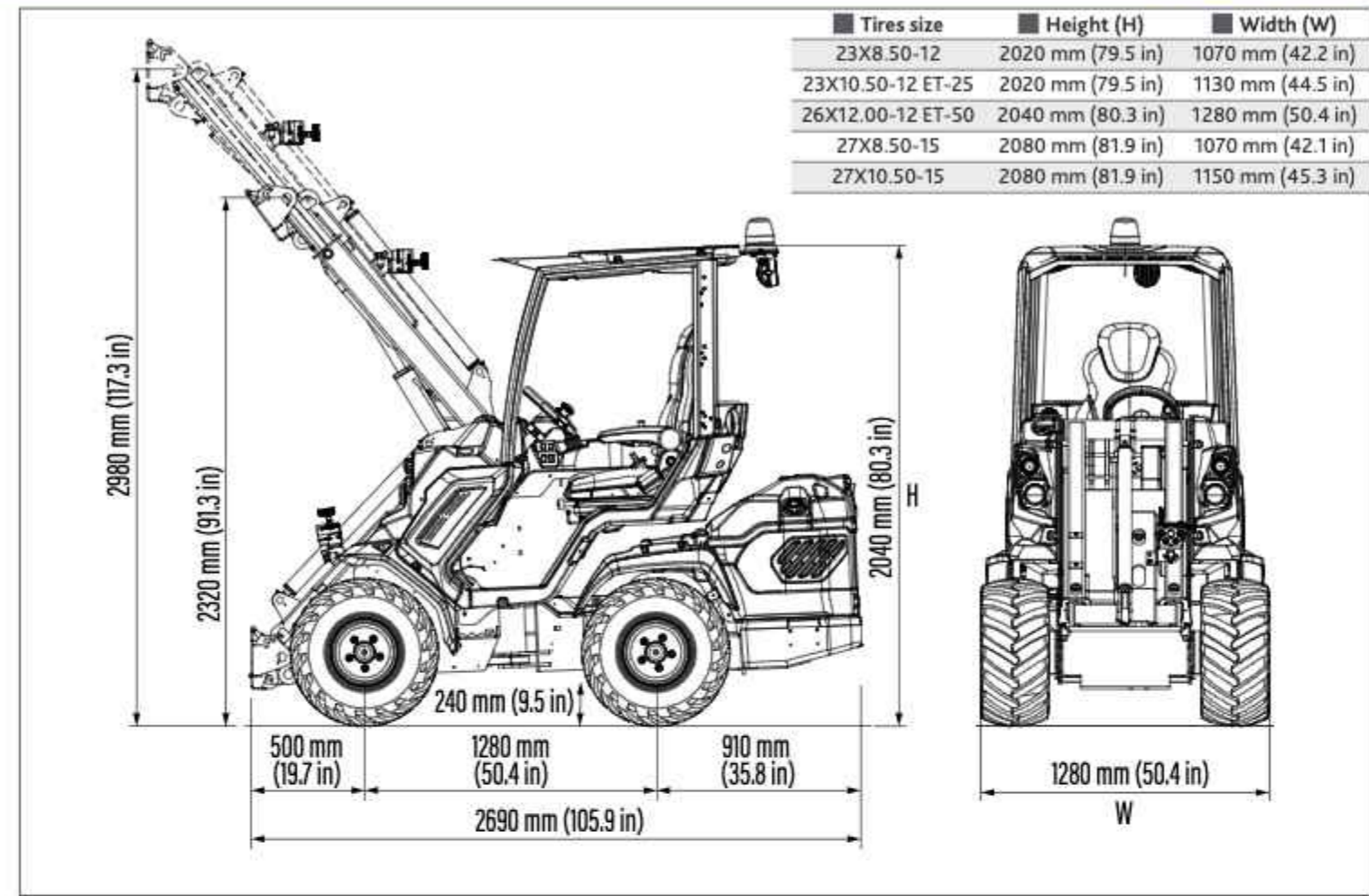
ACI
ATTACHMENT CONTROL INTERFACE



HIGHLIGHTS

- Twin Motors Single Ended Circuits
- Lead Acid battery
- Integrated Smart Battery Charger
- Energy management system: Eco - Power
- Braking Energy Recovery System
- Unbreakable Body Panels
- Hydraulic multiconnector
- Self-levelling double-H telescopic boom
- Dynamic Block System (DBS)
- ACI with Multi-functions joystick (22 functions) available as option
- ROPS-FOPS Level I
- LCD graphic display with programmed service
- 4WD hydrostatic Direct Drive motors
- Radial piston high efficiency and heavy duty wheel motors
- 2 front working lights
- Ergonomic full adjustable suspension seated seat with armrests and seat belt
- Self-locking multi-disk parking brake
- Backup warning beeper
- 26X12.00-12 wheels

Daily work cycle in hours



Model	EZ7
■ Battery type	Lead Acid
■ Battery capacity	16,5 kWh
■ Electric motors	2
■ Charging system	Integrated charger
■ Transmission	Hydrostatic
■ Drive speed (max.) ⁽¹⁾	12 km/h (7.5 mph)
■ Aux. hydraulics oil flow	35 l/min (9.3 GPM)
■ Max. lifting height	2,98 m (117.3 in)
■ Tipping load, max. ⁽²⁾	2070 kg (4563 lbs)
■ Lifting capacity straight, max. ⁽³⁾	1650 kg (3637 lbs)
■ Breakout force / 50 cm (19.7 in)	1700 kg (3748 lbs)
■ Pushing force (c)	2050 kgf (2050 kp)
■ Average ground pressure (w/standard tires)	1135 kg/m ² (232 lbs/sqft)
■ Turning radius: inside/outside	825/2090 mm (32.5/82.3 in)
■ Standard tires (Tractor profile)	26x12.00-12 ET-50
■ Weight	1860 kg (4110 lbs)

⁽¹⁾ Maximum speed that can be achieved with the largest diameter tires available, on a flat surface and machine without attachments.
⁽²⁾ Tipping limit, when the machine is straight, with rear weights and boom lifted just off the ground. Weight of attachment included.
⁽³⁾ Maximum load that can be lifted just off the ground when the machine is straight and with rear weights. Weight of attachment is included.
 Note: Refer to the Operator's manual for the comprehensive load diagram.

EZ 8 - EZ8 LONG RANGE



- ① PLUS
- Lithium-Ion battery
 - Zero emission
 - Very low noise emissions
 - Integrated smart charger
 - Fast charging station available
 - Large autonomy
 - Low Weight:
 - No Turf damage
 - Less tires consumption
 - Multifunction Joystick + ACI available
 - Self levelling telescopic boom
 - Smart cabin available



① EZ8: the top-notch electric MultiOne.

The MultiOne EZ8 electric mini loader combines the shape of the EZ7 with the battery type of the EZ5. The EZ8 is equipped with a 21,5 kWh or 29,2 kWh (Long Range model) LiFePo battery, which provides up to 8 hours of continuous use and can be charged using a standard power outlet or a fast charging station. The LiFePo battery is known for its durability, high energy density, and long cycle life, making it a reliable and efficient power source for the machine.

The EZ8 features a hydraulic system with a flow rate of 35 l/min, delivering a maximum lifting capacity of 1420 kg. Overall, the EZ 8 MultiOne is a state-of-the-art electric loader that combines performance, versatility, and safety in a compact and easy-to-use package. Whether you need to work in tight spaces, sensitive environments, or heavy-duty applications, this machine is a reliable and efficient solution that can help you get the job done quickly and effectively.

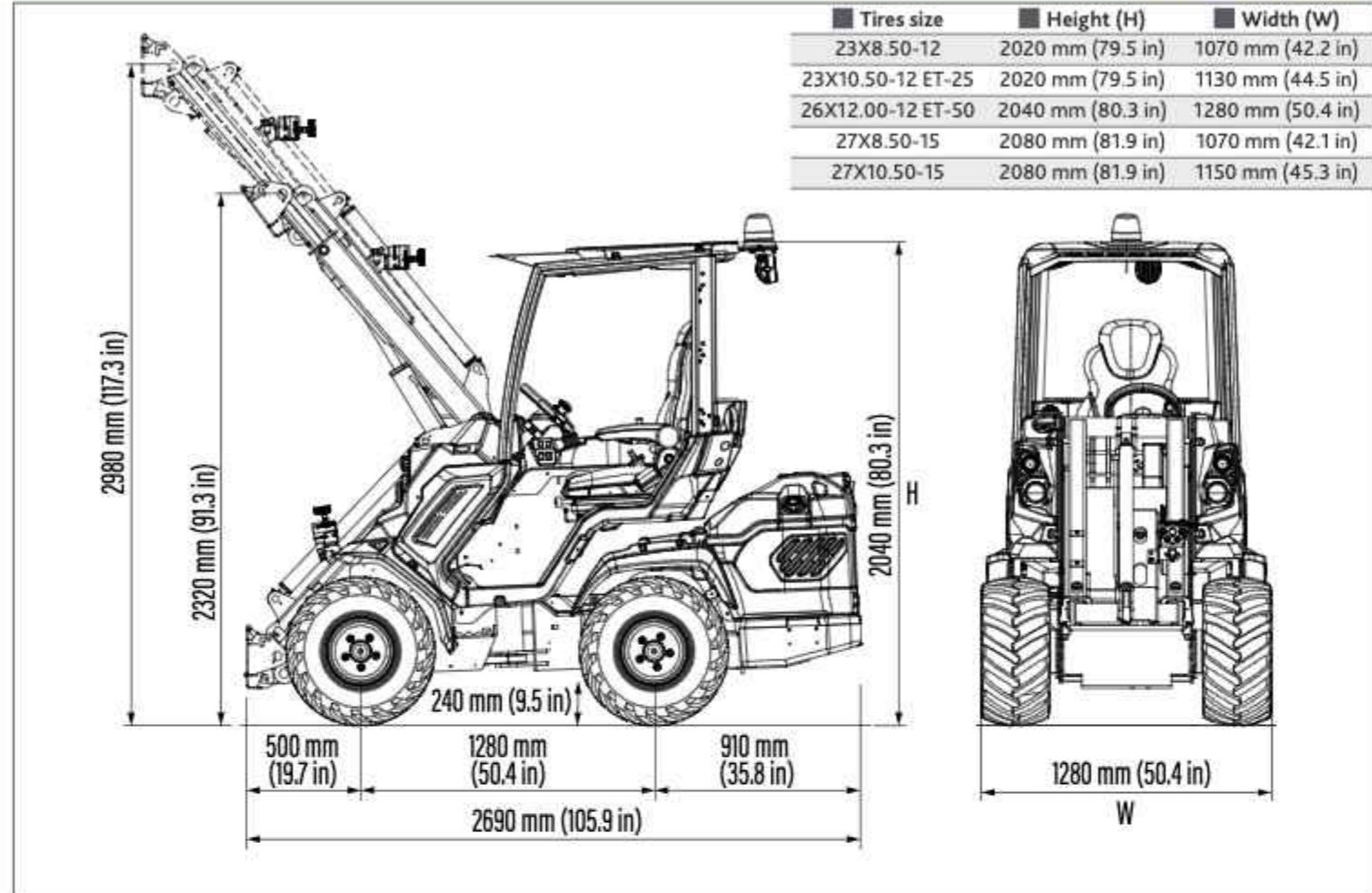
<p>MAX LIFTING CAPACITY</p>  <p>1420 kg</p>	<p>BATTERY CAPACITY</p>  <p>21,5 or 29,2 kWh</p>	<p>SPEED</p>  <p>12 km/h</p>	<p>FLOW RATE</p>  <p>35 l/min</p>	<p>LIFT HEIGHT</p>  <p>2,98 m</p>	<p>WEIGHT</p>  <p>1570 kg</p>	<p>ACI ATTACHMENT CONTROL INTERFACE</p> 	<p>LiION BATTERY</p> 
---	---	---	--	--	---	---	--



HIGHLIGHTS

- Twin Motors Single Ended Circuits
- Lithium-Ion battery (LiFePO4)
- Integrated Smart Battery Charger
- Energy management system: Eco - Power
- Fast charging station (95A or 160A) available as option
- Braking Energy Recovery System
- Unbreakable Body Panels
- Hydraulic multiconnector
- Self-levelling double-H telescopic boom
- Dynamic Block System (DBS)
- ACI with Multi-functions joystick (22 functions) available as option
- ROPS-FOPS Level I
- LCD graphic display with programmed service
- 4WD hydrostatic Direct Drive motors
- Radial piston high efficiency and heavy duty wheel motors
- 2 front working lights
- Ergonomic full adjustable suspension seated seat with armrests and seat belt
- Self-locking multi-disk parking brake
- Backup warning beeper
- 26X12.00-12 wheels

Daily work cycle in hours



Model	EZ8	EZ8 LONG RANGE
■ Battery type	Lithium -Ion (LiFePO4)	
■ Battery capacity	21,5 kWh	29,2 kWh
■ Electric motors	2	
■ Charging system	Integrated charger (Ext. fast charging station available)	
■ Transmission	Hydrostatic	
■ Drive speed (max.) ⁽¹⁾	12 km/h (7.5 mph)	
■ Aux. hydraulics oil flow	35 l/min (9.3 GPM)	
■ Max. lifting height	2,98 m (117.3 in)	
■ Tipping load, max. ⁽²⁾	1780 kg (3924 lbs)	
■ Lifting capacity straight, max. ⁽³⁾	1420 kg (3130 lbs)	
■ Breakout force / 50 cm (19.7 in)	1700 kg (3748 lbs)	
■ Pushing force (c)	2050 kgf (2050 kp)	
■ Average ground pressure (w/standard tires)	958 kg/m ² (196 lbs/sqft)	
■ Turning radius: inside/outside	825/2090 mm (32.5/82.3 in)	
■ Standard tires (Tractor profile)	26x12.00-12 ET-50	
■ Weight	1570 kg (3470 lbs)	

⁽¹⁾ Maximum speed that can be achieved with the largest diameter tires available, on a flat surface and machine without attachments.
⁽²⁾ Tipping limit, when the machine is straight, with rear weights and boom lifted just off the ground. Weight of attachment included.
⁽³⁾ Maximum load that can be lifted just off the ground when the machine is straight and with rear weights. Weight of attachment is included.
 Note: Refer to the Operator's manual for the comprehensive load diagram.

ESTATE & PROPERTY MAINTENANCE

MultiOne is the perfect tool for property maintenance, thanks to its low ground impact and ease of operation. With over 170 attachments available, you have control of the most versatile compact articulated loader that can be adapted for sweeping, mowing, lifting, shifting, cleaning, mixing, digging, snow clearing and much more. With compact dimensions, the articulated chassis and up front seating position grant amazing manoeuvrability in tight spaces and with all round visibility. High drive speed provides increased mobility across large areas.



LANDSCAPING & GROUND CARE

MultiOne has many versatile attachments for drilling, earthmoving, tilling, trenching, digging, lifting, shifting, levelling, soil preparation and so much more.

Articulated steering combined with the DBS (Dynamic Block System) enabled drive system means you can drive on lawns, paving and sensitive surfaces with very low ground impact and no damage from the tyres. The MultiOne loaders can lift and load large 'ton' bags, pallets of bricks and blocks and other materials on all terrain.



FARMING & NURSERY

One versatile machine, with over 170 attachments to handle bales, feed animals, clean barns & stables, prepare soil, maintain vineyards & orchards and so much more. MultiOne can handle typical farming tasks with ease, yet is compact enough to work inside buildings and barns where other machinery can't go. The compact and agile telescopic MultiOne, adds versatility and big lifting performance over and above the conventional loader.



D-I-Y & CONTRACTORS

MultiOne is the most flexible compact loader for modern construction and building sites. High manoeuvrability and compact dimensions enable access to areas that conventional machinery just can't reach. The high mobility of a MultiOne helps reduce labour time, cut costs and increase productivity. MultiOne saves you time and money by reducing the number of machines needed on site, just choose your attachments, switch between them in seconds and transform your MultiOne for the next task at hand.



ATTACHMENTS

YOU WILL BE SPOILED FOR CHOICE

MultiOne loader is designed to be used for countless tasks, thanks to its easy attachment hookups to its powerful hydraulics. And when you need to adapt to unique tasks, MultiOne manufactures a variety of tough attachments that take you well beyond bucket work.

MultiOne attachments deliver the most versatility for your equipment investment.



COMBO BUCKET



JOB SITE TOOLBOX



RADIO CONTROLLED BACKHOE



DUMPER



LIFTING TROLLEY



RUBBER SCRAPER



TREE SHAKER



VINEYARD TOOL CARRIER



WINCH



BIG BAG LIFTER



CEMENT MIXER



COLD PLANER



CORE AERATOR



STUMP GRINDER



DEBRIS AND LEAF BLOWER



DUAL BLADE HEDGE TRIMMER



BRANCH CUTTER



INTER-ROW MOWER



JIB CRANE



LAWN MOWER



LEVELER



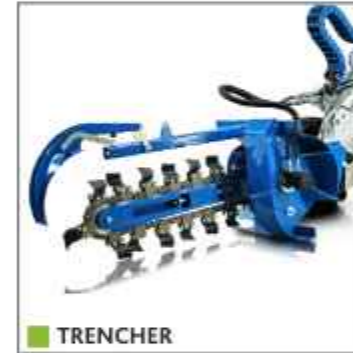
AERIAL WORK PLATFORM



LOG GRAPPLE



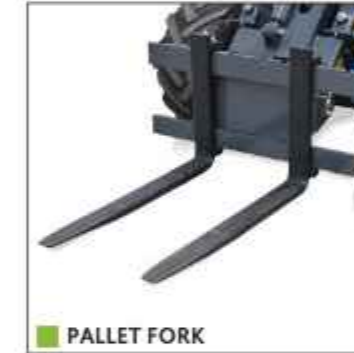
LOG SPLITTER



TRENCHER



MINI DIGGER



PALLET FORK



RIPPER



SALT AND SAND SPREADER



SNOW PLOW



TRAILER



DROP SPREADER



WEED BRUSH



TIMBER GRAB



SWEEPER



TORNADO



DEMOLITION GRAPPLE BUCKET



TREE SHEAR



CONCRETE MIXING BUCKET



DOZER BLADE



BALE FORK



HYDRAULIC BREAKER



PALLET FORK CLAMP



SWING STUMP GRINDER



FEED DISPENSER



FLAIL MOWER WITH SIDE SHIFT



GENERAL BUCKET



GRADER



HORSE ARENA HARROW



BALE HANDLER



SCREW FEED PUSHER



FLAIL MOWER



GRAPPLE BUCKET



LEAF VACUUM



MANURE FORK



ROTARY SWEEPER



POWER PLOW



SIDE BOOM WITH FLAIL MOWER



SOLAR PANEL WASHER



SPRAYER



SNOW BLOWER



HYDRAULIC BIO SHREDDER



HEDGE CUTTER



HIGH PRESSURE WASHER



PUSH BROOM



LANDSCAPE POT CLAMP



SQUARE BALE CLAMP



SCREENING BUCKET



HIGH TIP BUCKET



AUGER



SICKLE BAR MOWER



LIGHT MATERIAL BUCKET



POWER RAKE



STONE BURIER



ROTARY TILLER



SNOW BLADE



EZ SERIES



① MULTIONE APP

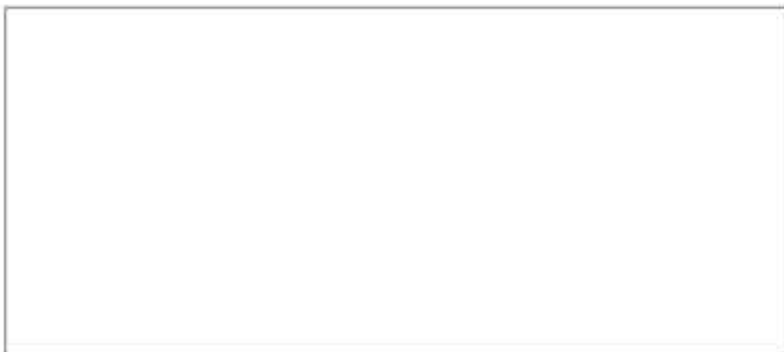
The MultiOne App is an easy, quick and efficient way for MultiOne owners and technicians to find information they need-on the job and in the field.

MultiOne App gives an overview of the available MultiOne spare parts (for machines, attachments and options), the up-to-date user manuals and a helpful dealer locator.

① SPARE PARTS AND SERVICE

MultiOne's huge network of world wide distributors provides valuable support to the customers during the choice of the right machine and attachments to fulfill their business needs.

After the sale, the same network has deep technical training to assure the best maintenance, parts support and to help the customer discover new applications and possibilities through his MultiOne.



WWW.MULTIONE.COM

MultiOne srl

via Palù, 6/8

36040 Grumolo delle Abbadesse

Vicenza - Italy

info@multione-csf.com

The information and images herein contained are provided for illustrative purposes only and are not binding on MultiOne, who reserves the right to change them at any time without notice. 2024 MultiOne srl. All rights reserved.